

Success Note

SUPERTECH



Public Health Engineering Department was created in 1927 to provide drinking water supply and sewerage facilities in Uttar Pradesh. In year 1946 it was rechristened as Local Self Government Engineering Department (LSGED). In 1975, it was converted to Uttar Pradesh Jal Nigam through Uttar Pradesh Water Supply and Sewerage ACT, 1975 (ACT no-43, 1975). As per this ACT Jal Nigam has jurisdiction over whole Uttar Pradesh (except Cantonment Area). The basic objective of creating this this corporation is development and regulation of water supply & sewerage services and for matters connected therewith.

Project Objective

To Provide Safe Drinking Water and Clean Environment to all along with Technological intervention for Conservation of Water, Safe Water and Environment Management towards sustainable growth for the Union State of Uttar Pradesh from their 225 MLD WTP Plant.

Project Constraints

- High Availability of Control System for 24 x 7 Water Supply.
- Tight Connectivity with Various System located at different places in the plant
- User Friendly Management Information Reports
- Future connectivity with MES and SAP

Customer Benefits

- Hot Standby System High Availability
- Distributed Architecture Since the plant is Spread over wide area
- Tight Connectivity with various systems through Redundant Fiber Optic Ring
- Open Transparent Ready Architecture
- Future connectivity with MES & SAP
- Scalability for expansion in Phase II expected shortly
- High Reliability & Availability
- Assurance of prompt after sales support

PlantStruxure Solution in Brief

- 10 Nos. M-580 Level Hot Standby Controller
- 40 no. Advantys STB
- 25 nos. MC80 Remote I/O
- PlantStruxure PES – 2 Servers
- 11 Nos. Managed Fiber Optic Switches to Manage Redundant Fiber Optic Network
- Management Information Reports
- Communication with Third Party PLCs for package equipment

Resources attach a file or photo

[Submit](#)



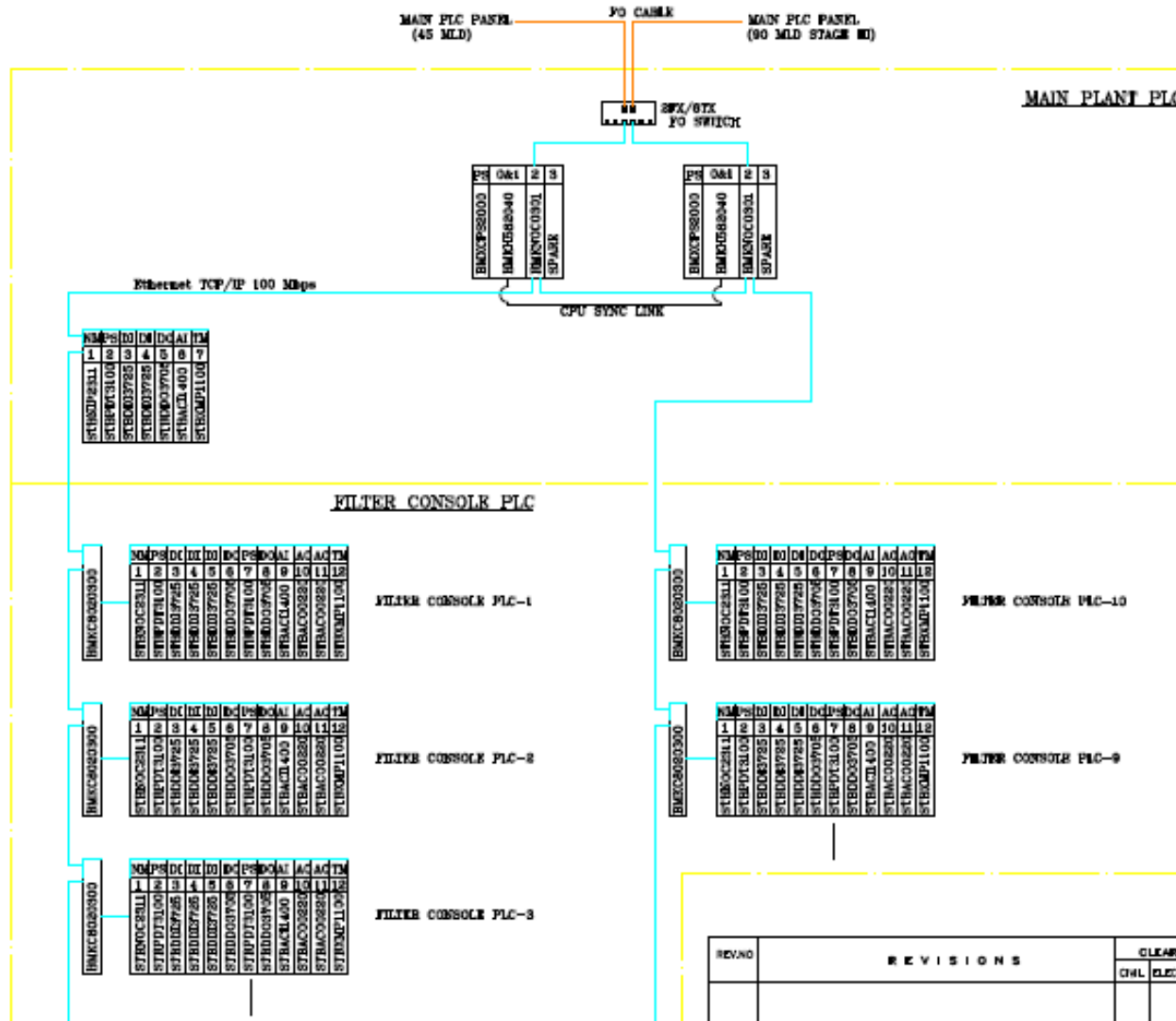
Return completed form to [PlantStruxture Contact@schneider-electric.com](mailto:PlantStruxture.Contact@schneider-electric.com)

Success Note – 90MLD Stage II System Architecture

REHABILITATION OF 90 MLD STAGE II WATER TREATMENT PLANT AT JEONIMANDI, AGRA

LEGEND

- PO CABLE
- REHABILITATION CABLE
- DI-DIGITAL INPUT MODULE
- DO-DIGITAL OUTPUT MODULE
- AI- ANALOG INPUT MODULE
- AO-ANALOG OUTPUT MODULE
- PS-POWER SUPPLY MODULE
- NM-NETWORK INTERFACE MODULE



SER. NO.	MOD. NO.	DESCRIPTION	Qty.
01	HMXP2000	Power Supply Module	2
02	HMKB2040	EMM Processor 18540	2
03	HMKN00301	MS60 Ethernet Comm Module	2
04	STBIP2311	Network Interface Module	1
05	STBIP2310	Power Distribution Module	21
06	STBPS2111	Auxiliary Power Supply	0
07	STBKE1100	Bus Extension Module Start	0
08	STBKE1300	Bus Extension Module END	0
09	STBDO3725	Digital Input Module	17
10	STBDO3705	Digital Output Module	21
11	STBACI400	Analog Current Input Module	11
12	HMKB020300	MC80 Controller	10
13	STBACO220	Analog Current Output Module	20
14	STBSC01010	Basic Network Interface Module - CANOPEN	10
15	-	SFX/STX MM FO SWITCH	1

	UTTAR PRADESH JAL NIGAM, AGRA
	NJS CONSULTANTS CG. LTD. JAPAN MOTT MACDONALD LTD. UK SHAH TECHNICAL CONSULTANTS PVT. LTD. INDIA TCE CONSULTING ENGINEERS LTD. INDIA
	REHABILITATION OF 225 MLD WATER TREATMENT PLANT AT JEONIMANDI, AGRA VOLTAS LIMITED <small>your friendly water partner</small>

REV. NO.	REVISIONS	CLEARED			APPR.	DATE
		CIVIL	ELEC.	MECH.		

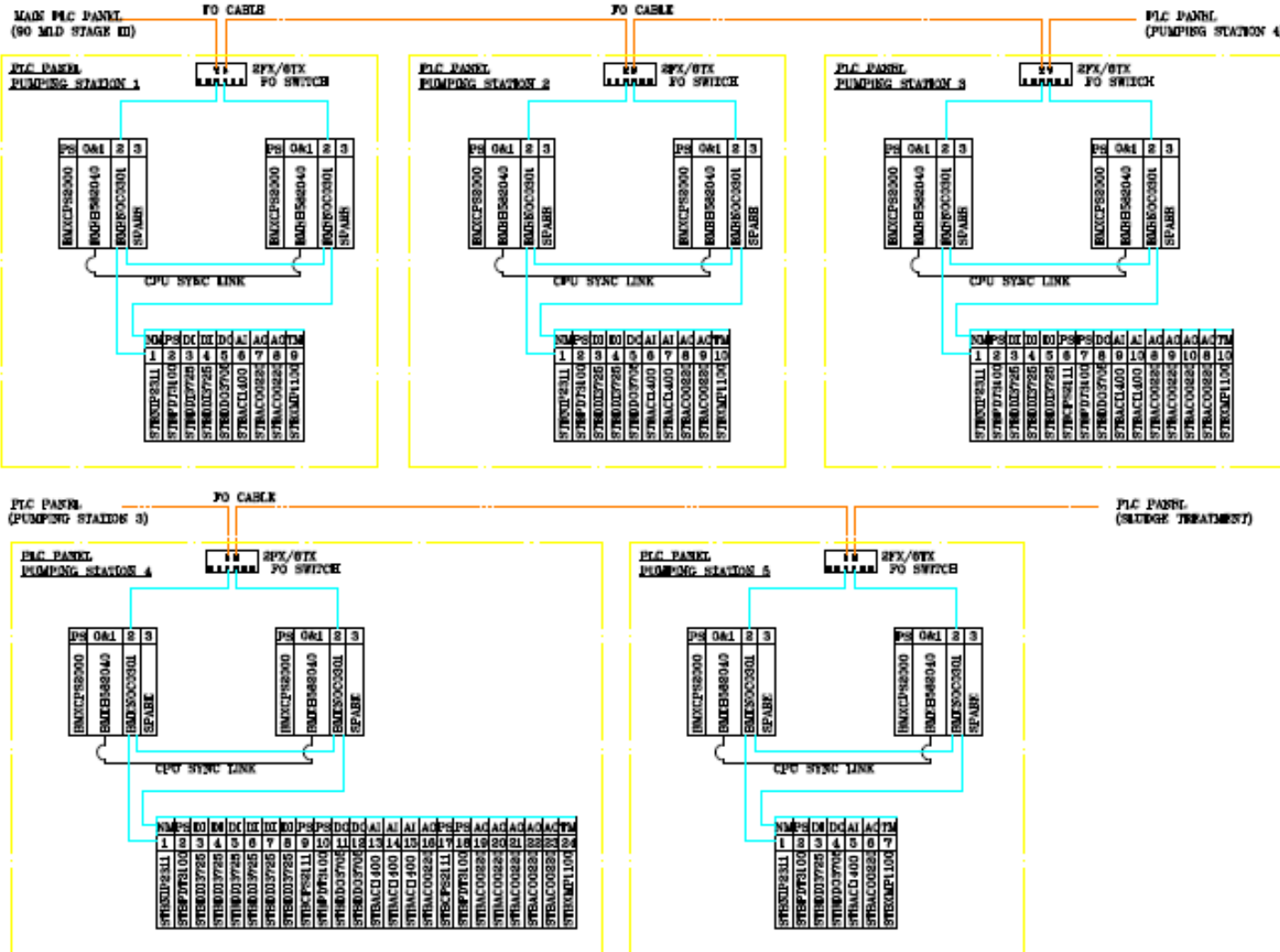
THE REVISIONS ON THIS DRAWING IS THE PROPERTY OF VOLTAS LTD. IT MUST NOT BE REPRODUCED OR CIRCULATED IN ANY MANNER, TO THE HONOUR OF THE COMPANY.						
TLS SYSTEM CONFIGURATION DRAWING						
DES. NO. 101	DTD. NO. 101	DES. DATE 10/10/10	DES. BY [Signature]	DES. CHECKED BY [Signature]	DES. APPROVED BY [Signature]	DES. DATE 10/10/10

Success Note – Pumping Station 1 to 5

REHABILITATION OF PUMPING STATION WATER TREATMENT PLANT AT JEONIMANDI, AGRA

LEGENDS

- PO CABLE
- NETWORK CABLE
- DI—DIGITAL INPUT MODULE
- DO—DIGITAL OUTPUT MODULE
- AI—ANALOG INPUT MODULE
- AO—ANALOG OUTPUT MODULE
- PS—POWER SUPPLY MODULE
- NM—NETWORK INTERFACE MODULE



	UTTAR PRADESH JAL NIGAM, AGRA
	NJS CONSULTANTS Co. LTD. JAPAN
	MOTT MACDONALD LTD. UK
	SHAH TECHNICAL CONSULTANTS PVT. LTD. INDIA
	TCE CONSULTING ENGINEERS LTD. INDIA
	REHABILITATION OF 225 MLD WATER TREATMENT PLANT AT JEONIMANDI, AGRA
	VOLTAS LIMITED <small>(A Quality Assured Company)</small>

REVNO	REVISIONS	CLEARED		APPR.	DATE
		CIVIL	ELEC.		

<p>THE CONTRACTOR SHALL BE RESPONSIBLE FOR THE PROTECTION OF THE EXISTING UTILITIES AND SERVICES IN THE AREA OF THE PROJECT. ANY DAMAGE TO SUCH UTILITIES OR SERVICES SHALL BE REPAIRED AT THE CONTRACTOR'S EXPENSE.</p>	<p>DATE: 10/10/2011</p>
<p>TITLE: SYSTEM CONFIGURATION DRAWING</p>	<p>PROJECT NO.: UPAN/PL/225 MLD/5165/1752/001</p>

Success Note – Sludge and Pre-treatment

REHABILITATION OF PUMPING STATION WATER TREATMENT PLANT AT JEONIMANDI, AGRA

LEGENDS

- PO CABLE
- NETWORK CABLE
- DI—DIGITAL INPUT MODULE
- DO—DIGITAL OUTPUT MODULE
- AI— ANALOG INPUT MODULE
- AO— ANALOG OUTPUT MODULE
- PS— POWER SUPPLY MODULE
- NM—NETWORK INTERFACE MODULE

PLC PANEL
(PUMPING STATION 0)

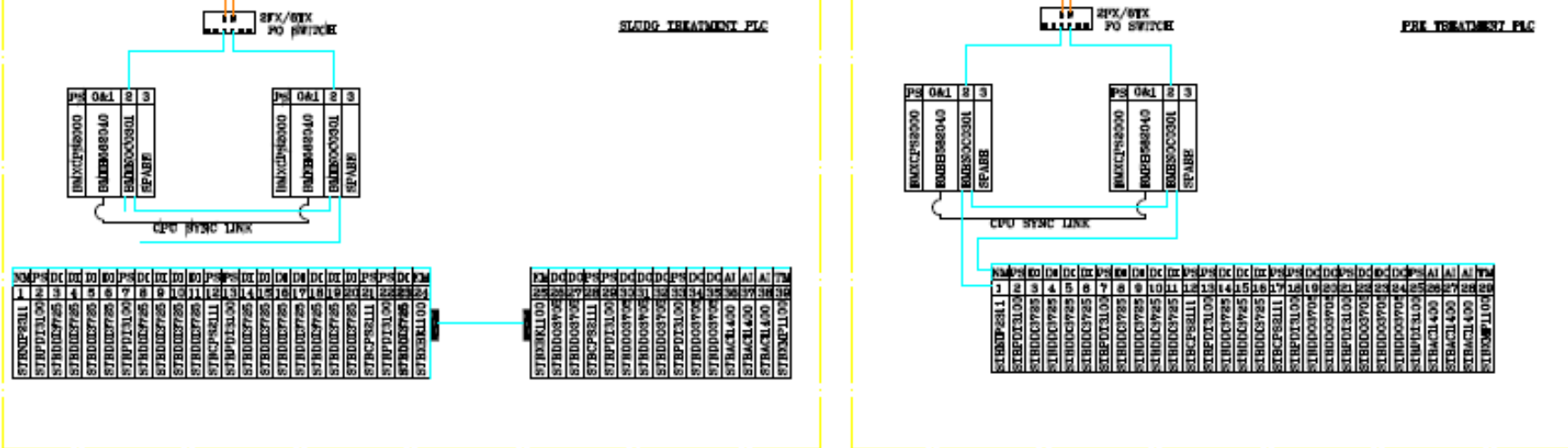
PO CABLE

PO CABLE

CONTROL ROOM
(225 MLD)

SLUDGE TREATMENT PLC

PRE TREATMENT PLC



CLIENT	UTTAR PRADESH JAL NIGAM, AGRA
DESIGNER	NJS CONSULTANTS (S) LTD. JAPAN MOTT MACDONALD LTD. UK SHAH TECHNICAL CONSULTANTS PVT. LTD. INDIA TOE CONSULTING ENGINEERS LTD. INDIA
PROJECT	REHABILITATION OF 225 MLD WATER TREATMENT PLANT AT JEONIMANDI, AGRA
CONTRACTOR	VOL-TAS LIMITED INDIA
DATE	2011/01/01
SCALE	1:1
NO.	001
REV.	001
APP.	001
DATE	2011/01/01

REV. NO.	REVISIONS	CLEARED			DATE
		ENCL.	ELEC.	MECH.	

TLC SYSTEM CONFIGURATION DRAWING					
ENCL.	ELEC.	MECH.	APP.	DATE	